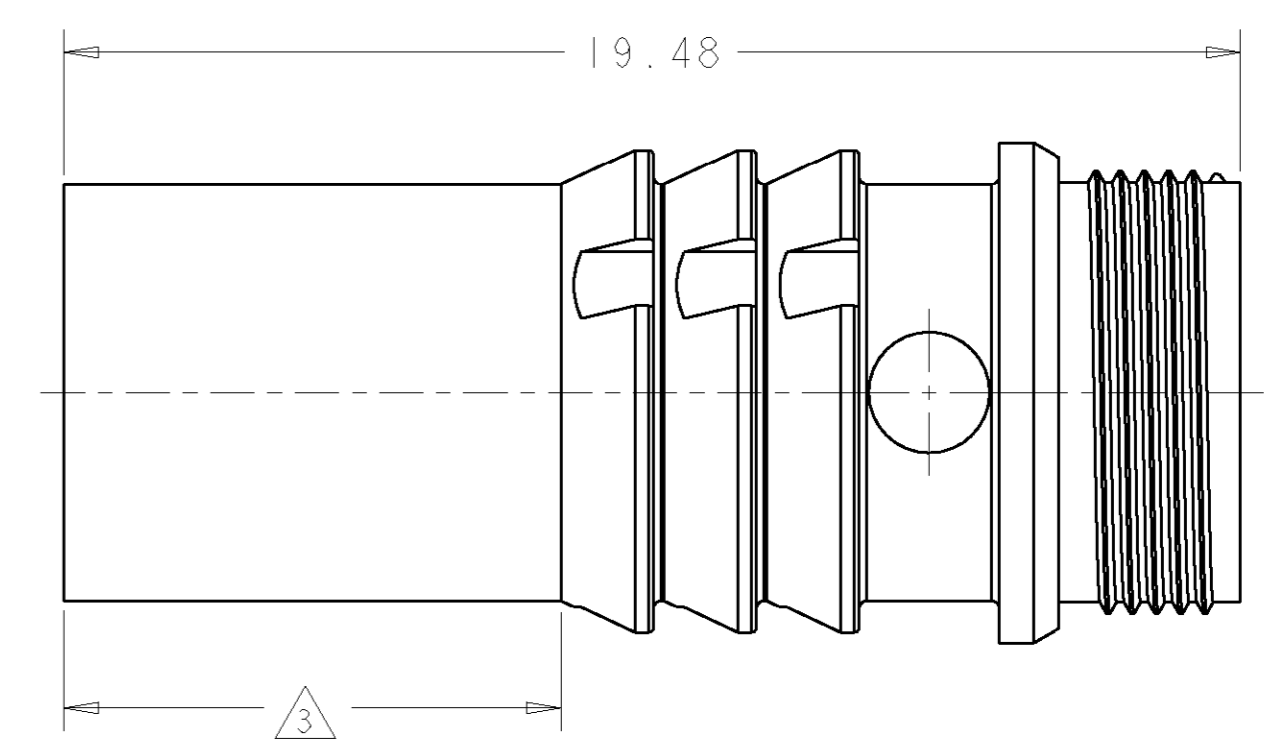
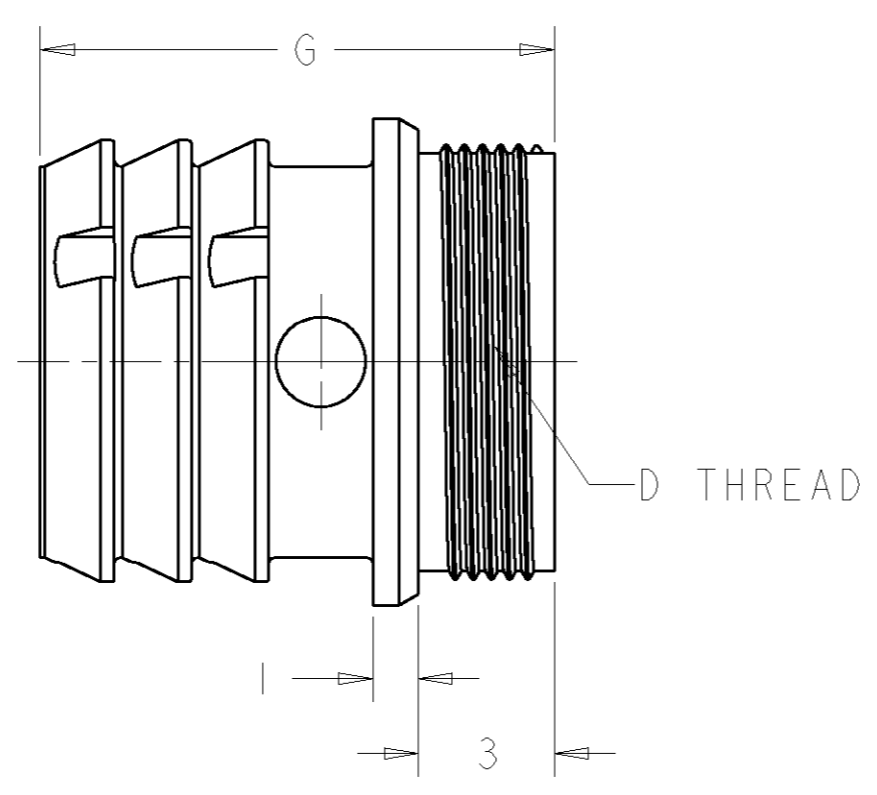
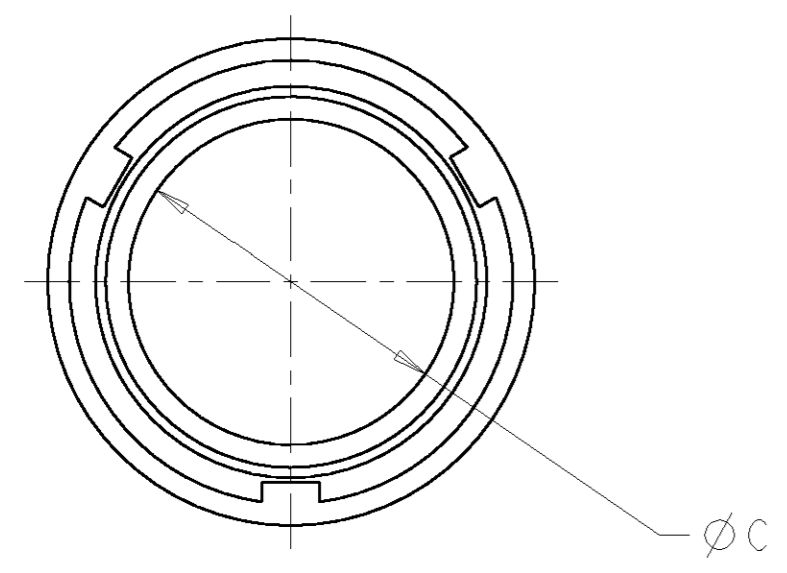
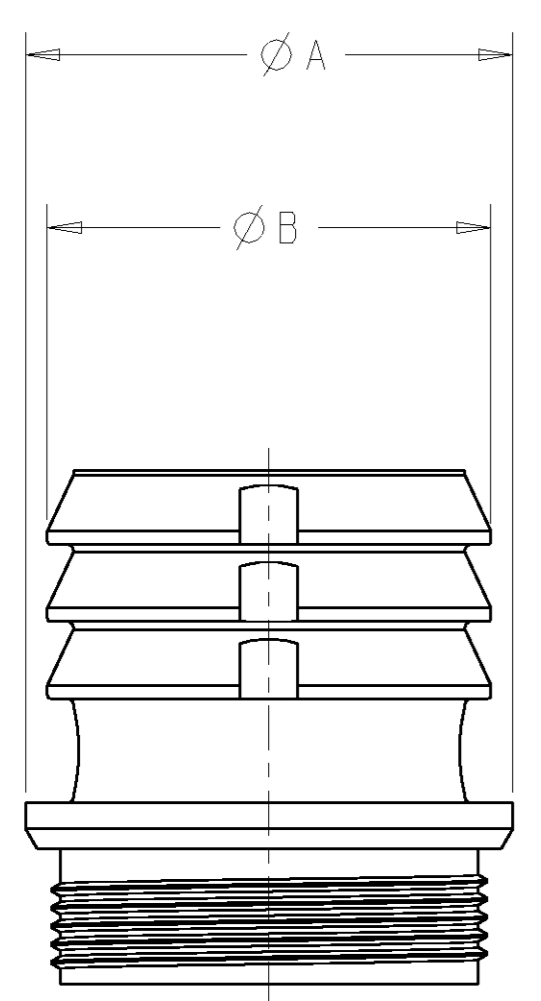


LOC	DIST	REVISIONS			
P	LTR	DESCRIPTION	DATE	DWN	APVD
DF	A5				
	D	REV PER ECO-06-029286	21DEC06	BH	KD



VIEW A  
 (1604366-07 AND 1604366-11 ONLY)



-	-	19.48	2	1	7.2	9.8	10.76	1604366-11
6.34	4.7	19.48	-	1	7.2	9.8	10.76	1604366-08
-	-	-	2	5/16-32 UNEF-2A	5.84	8.04	8.29	1604366-07
-	-	11.35	-	5/16-32 UNEF-2A	6.35	8.55	8.29	1604366-05
-	-	11.35	2	5/16-32 UNEF-2A	4.9	7.5	8.29	1604366-04
-	-	11.35	-	1	7.2	9.8	10.76	1604366-03
-	-	19.48	-	4	4.9	7.5	8.29	1604366-02
-	-	19.48	-	1	7.2	9.8	10.76	1604366-01
J	H	G	FINISH	D THREAD	ØC	ØB	ØA	PART NUMBER

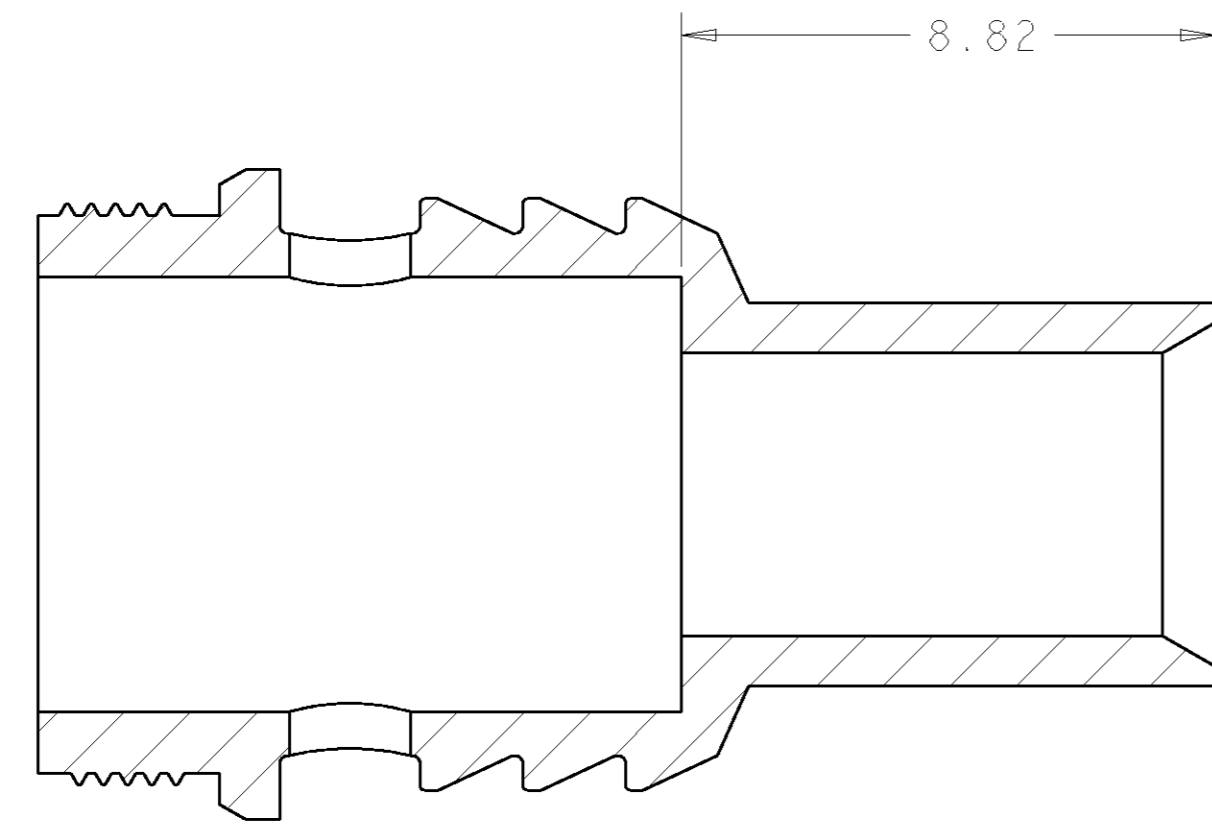
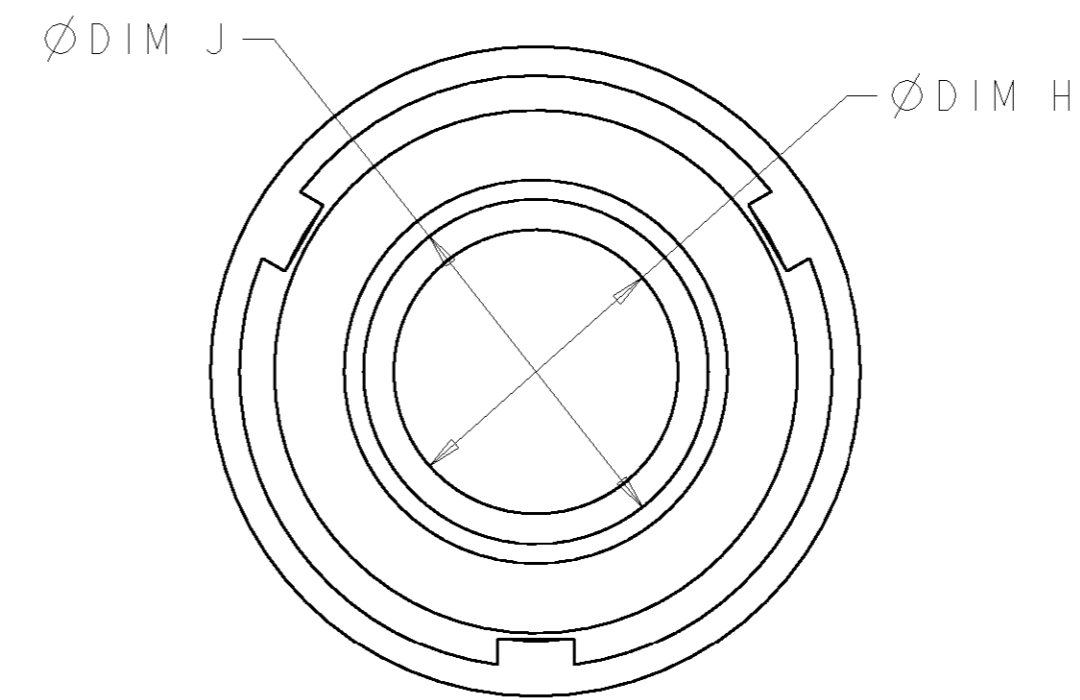
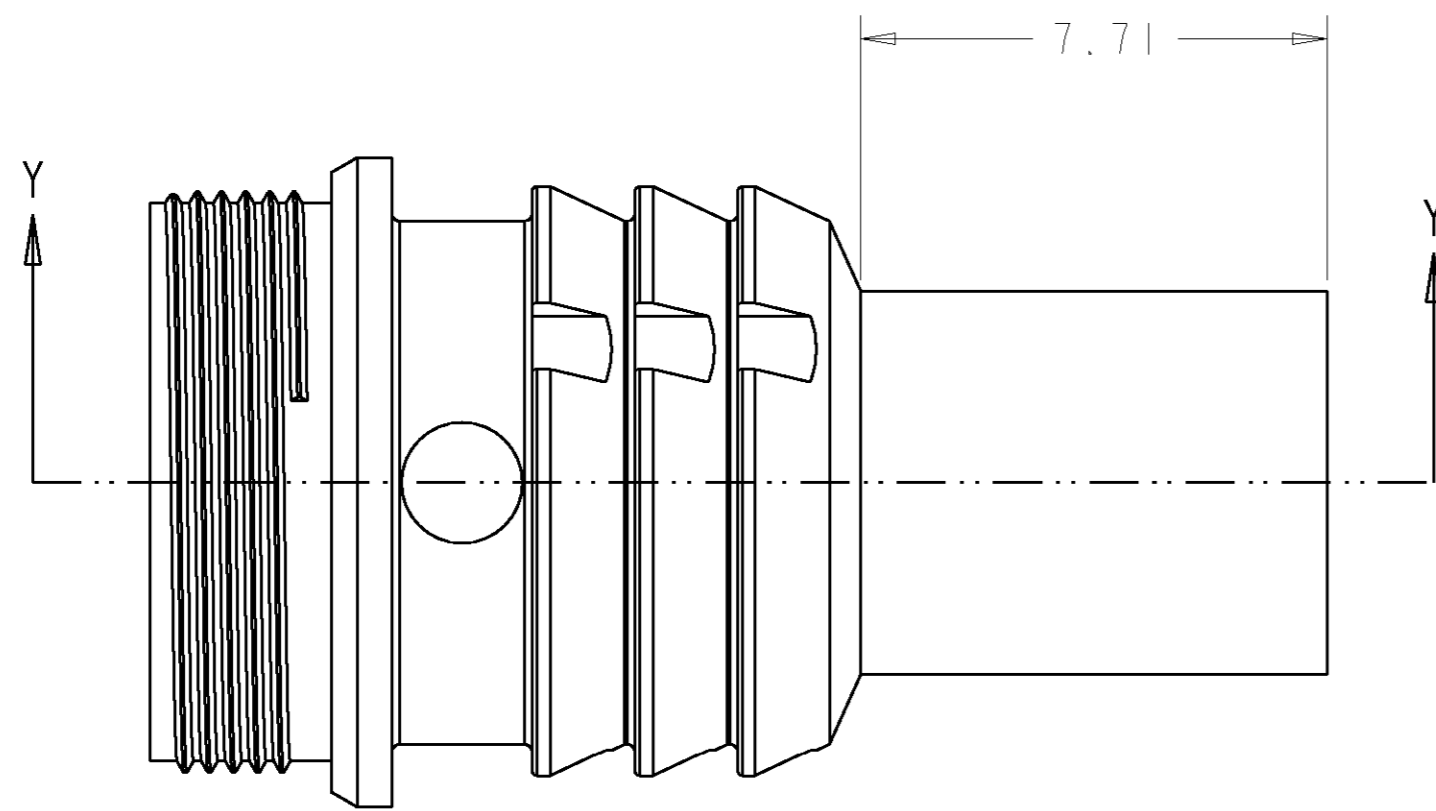
- 1 Ø .380-64 (INCHES)
- 2 FINISH; TIN-LEAD PLATE
- 3 DIAMOND KNURL OVER THIS LENGTH.
- 4 Ø .286-64 (INCHES)

THIS DRAWING IS A CONTROLLED DOCUMENT FOR TYCO ELECTRONICS CORPORATION. IT IS SUBJECT TO CHANGE AND THE CONTROLLING ENGINEERING ORGANIZATION SHOULD BE CONTACTED FOR THE LATEST REVISION.

DIMENSIONS:	TOLERANCES UNLESS OTHERWISE SPECIFIED:	DWN	10-21-04	Tyco Electronics Harrisburg, PA 17105-3608
mm	0 PLC ±0.13	CHK	10-21-04	
	1 PLC ±0.13	APVD	10-21-04	
	2 PLC ±0.13	PRODUCT SPEC		
	3 PLC ±	APPLICATION SPEC		NAME
	4 PLC ±	WEIGHT		ADAPTER, STRAIN RELIEF, OVERMOLD, METAL SHELL MICRO CPC
MATERIAL	FINISH	CUSTOMER DRAWING		SIZE
BRASS				A2
				CAGE CODE
				00779
				DRAWING NO
				1604366
				RESTRICTED TO
				-
				SCALE
				8:1
				SHEET
				1
				OF
				2
				REV
				D

THIS DRAWING IS UNPUBLISHED. RELEASED FOR PUBLICATION 20  
 © COPYRIGHT 20 BY TYCO ELECTRONICS CORPORATION. ALL RIGHTS RESERVED.

LOC	DIST	REVISIONS					
DF	A5	P	LTR	DESCRIPTION	DATE	DWN	APVD
		-		SEE SHEET 1	-	-	-



SECTION Y-Y

1604366-08 SHOWN

<small>THIS DRAWING IS A CONTROLLED DOCUMENT FOR TYCO ELECTRONICS CORPORATION. IT IS SUBJECT TO CHANGE AND THE CONTROLLING ENGINEERING ORGANIZATION SHOULD BE CONTACTED FOR THE LATEST REVISION.</small>		DWN G DOUITY 10-21-04 CHK K DOWHOWER 10-21-04 APVD K DOWHOWER 10-21-04	<b>tyco</b> Tyco Electronics <b>Electronics</b> Harrisburg, PA 17105-3608
DIMENSIONS: mm	TOLERANCES UNLESS OTHERWISE SPECIFIED: 0 PLC ±0.13 1 PLC ±0.13 2 PLC ±0.13 3 PLC ± 4 PLC ± ANGLES ± FINISH	PRODUCT SPEC - APPLICATION SPEC - WEIGHT -	NAME ADAPTER, STRAIN RELIEF, OVERMOLD, METAL SHELL MICRO CPC SIZE A2 CAGE CODE 00779 DRAWING NO. 1604366 RESTRICTED TO -
MATERIAL BRASS		CUSTOMER DRAWING	SCALE 8:1 SHEET 2 OF 2 REV D